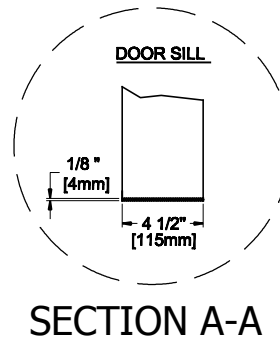
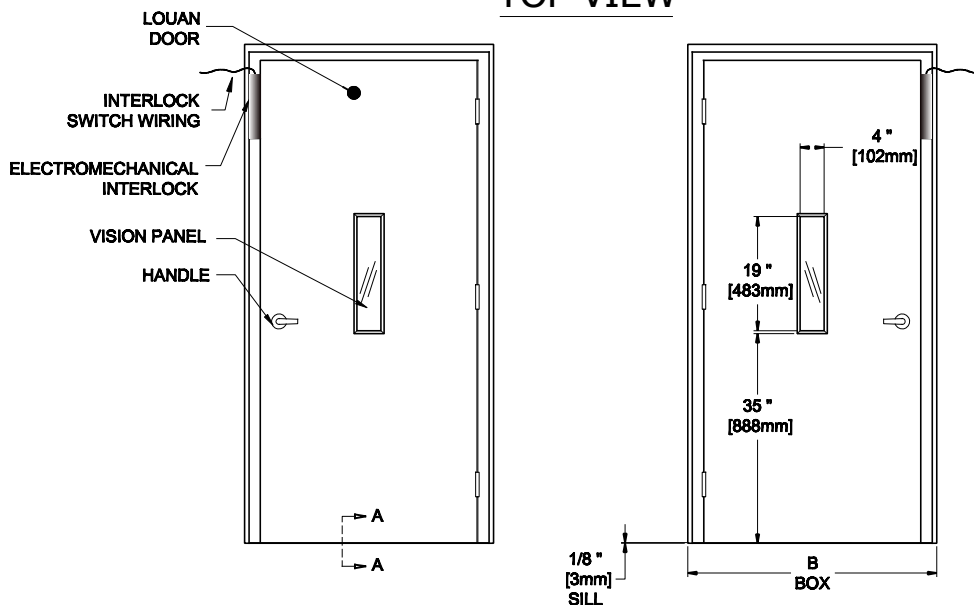
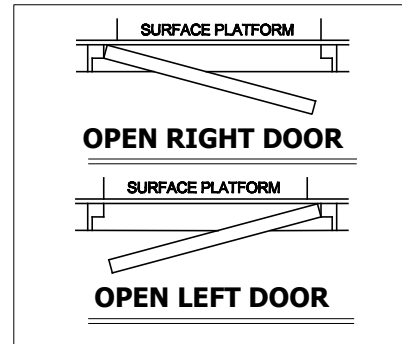


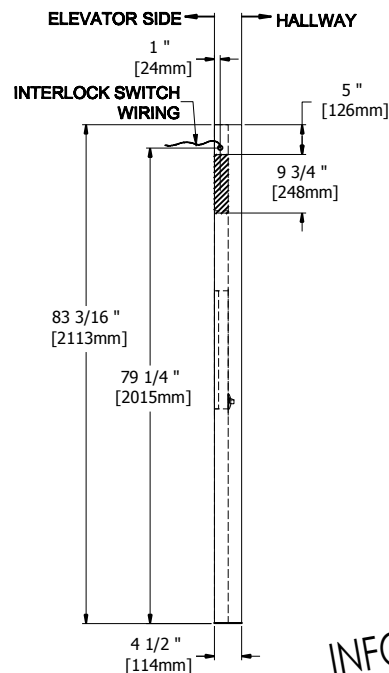
TOP VIEW



SECTION A-A



ELEVATION



SIDE VIEW

WARNING

INSTALLATION

- 1) Install doors before finishing the walls
- 2) Leave a 3/4" space on each side of the door to allow sideways adjustment on site
- 3) The latch side jamb of the landing door must be flush with the inner face of the platform's side wall.
- 4) The center of the door box frame does not correspond with the center of the door's opening

GENERAL DOCUMENT,
INFORMATIONAL PURPOSES ONLY

1 LOUAN INTERIOR DOOR

A= DOOR	B= BOX	C= OPENING	D= CLEARANCE
32" [813mm]	37 1/2" [953mm]	32 1/4" [819mm]	29 3/4" [756mm]
34" [864mm]	39 1/2" [1003mm]	34 1/4" [870mm]	31 3/4" [807mm]
36" [915mm]	41 1/2" [1054mm]	36 1/4" [921mm]	33 3/4" [857mm]
38" [965mm]	43 1/2" [1105mm]	38 1/4" [972mm]	35 3/4" [908mm]
40" [1016mm]	45 1/2" [1156mm]	40 1/4" [1022mm]	37 3/4" [957mm]
42" [1067mm]	47 1/2" [1207mm]	42 1/4" [1073mm]	39 3/4" [1010mm]

NOTE:
 - THE INSDIDE DOOR MUST BE FLUSH, WITHOUT NICHE OR PROTRUSION.
 - THE VISION PANEL COULD BE OMITTED, IF A INDICATOR LIGHT OR AUDITIF DISPOSITIF IS INSTALLED.

AmeriGlide
 Accessibility Solutions

AmeriGlide, Inc.
 5110 Atlantic Ave
 Raleigh, NC 27616
 1 (800) 790-1635

GENERAL INFORMATION

NO. DRAWING	P-02	DATE	12/20/2018	REVISION	6
CODE	B-305 - B-613	DRAWER	M. DEBUSSCHERE	NO. SHEET	1/1