

## SPECIFICATIONS

MODEL	PRO DUMBWAITER
CAPACITY	300 LB
SPEED	24 FPM (NOMINAL)
DRIVE	CHAIN DRIVE GEAR MOTOR
DOOR LOCKS	ELECTROMECHANICAL INTERLOCKS ATLOCK LISTING E10695
OPERATION	AUTOMATIC OPERATION, MANUEL DOORS
FINISH	STAINLESS STEEL 304 # 4
ELECTRICAL REQUIREMENTS	CONTROLLER COMES EQUIPPED WITH A 120V 60Hz, 20AMP CIRCUIT (BATTERY BACKUP) OR (POWER TRANSFORMER). REQUIRES A DEDICATED CIRCUIT, 120VAC, 15 AMP OUTLET WITHIN SIGHT OF THE CONTROLLER. FOR JURISDICTIONS WHICH REQUIRE THE CONTROLLER TO BE HARDWIRED, HARD WIRE INTO APPROPRIATE DISCONNECTING MEANS.
CONTROL SYSTEM	PLC, RELAY, PLUG'NPLAY FIELD WIRING
CODE	B44 SEC: 7

*GENERAL DOCUMENTATION, FOR  
INFORMATION ONLY*



3175 Boul. Choquette  
St-Hyacinthe (Québec)  
J2S 7Z8, Canada  
Tél: (450) 796-5708  
Fax: (450) 250-5110

[www.atlasaces.com](http://www.atlasaces.com)

No Drawing: DW-20

**TYPICAL DRAWING**  
**DW 20X20X30**

Drafter: M. Debusschere

Rev: **0**

Scale: ± 1/16"

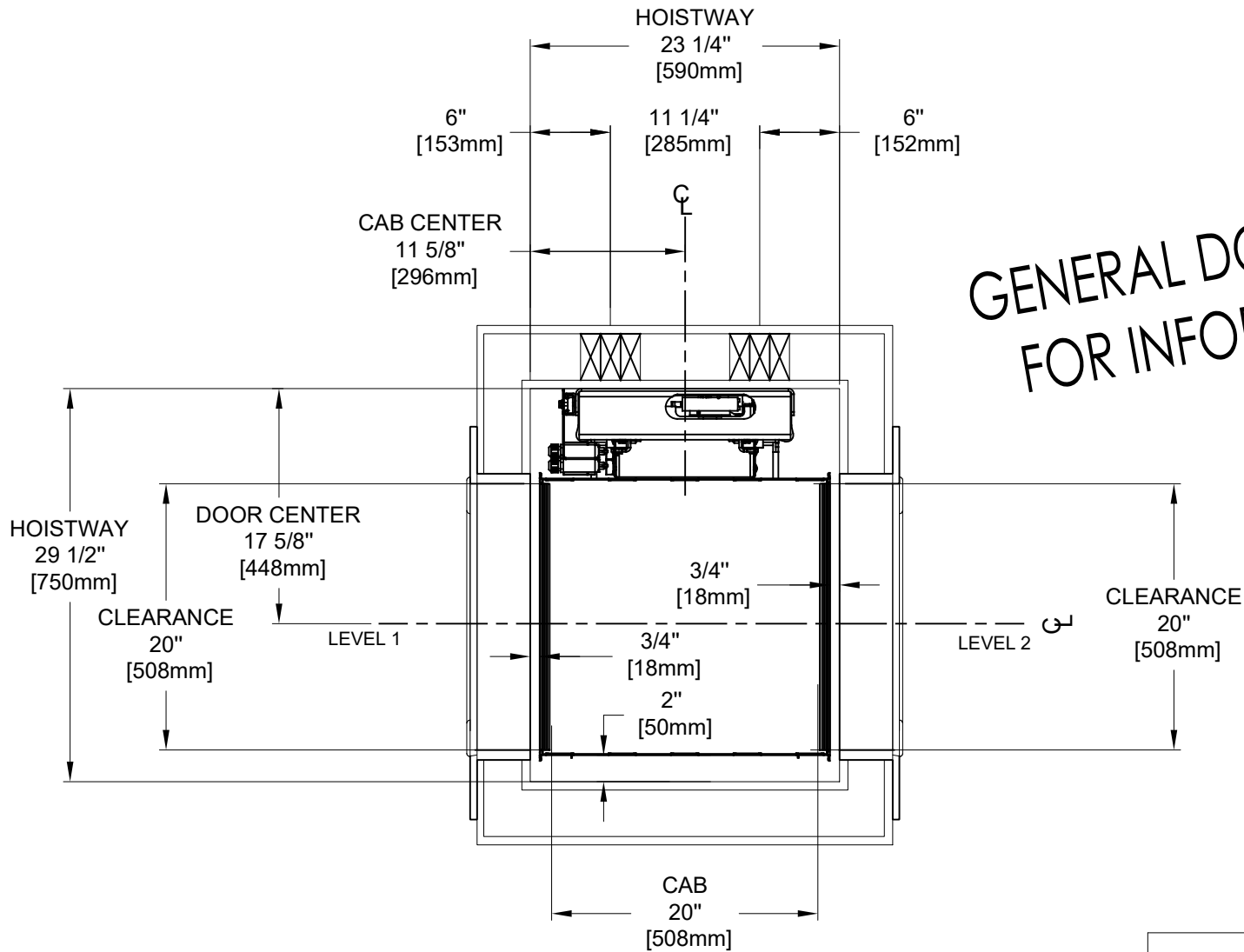
Date: 07-12-2020

Statut: INFORMATION

Page: 1/4

AMERIGLIDE IS NOT RESPONSIBLE FOR THE STRUCTURAL DESIGN OF THE BUILDING AND ITS ABILITY TO SUPPORT THE ELEVATOR LOADS AND OR REACTIONS

ALL DRAWINGS ARE THE INTELLECTUAL PROPERTY OF AMERIGLIDE AND CANNOT BE COPIED OR MODIFIED WITHOUT PERMISSION



GENERAL DOCUMENTATION,  
FOR INFORMATION ONLY

**PRO DUMBWAITER**  
**20x20x30**



3175 Boul. Choquette  
St-Hyacinthe (Québec)  
J2S 7Z8, Canada  
Tél: (450) 796-5708  
Fax: (450) 250-5110

[www.atlasaces.com](http://www.atlasaces.com)

No Drawing: DW-20

**TYPICAL DRAWING**  
**DW 20X20X30**

Rev: **0**

AMERIGLIDE IS NOT RESPONSIBLE FOR THE STRUCTURAL DESIGN OF THE BUILDING AND ITS ABILITY TO SUPPORT THE ELEVATOR LOADS AND OR REACTIONS

ALL DRAWINGS ARE THE INTELLECTUAL PROPERTY OF AMERIGLIDE AND CANNOT BE COPIED OR MODIFIED WITHOUT PERMISSION

Drafter: M. Debusschere

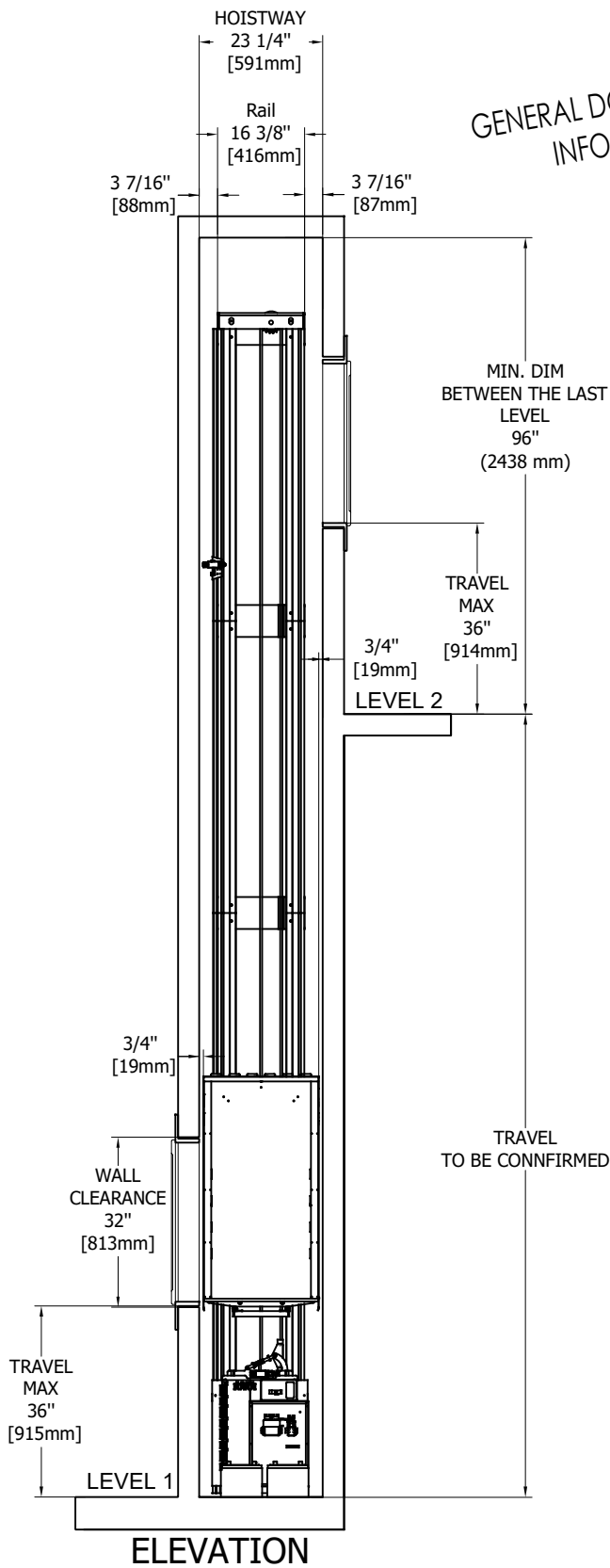
Scale: ± 1/16"

Date: 12-07-2020

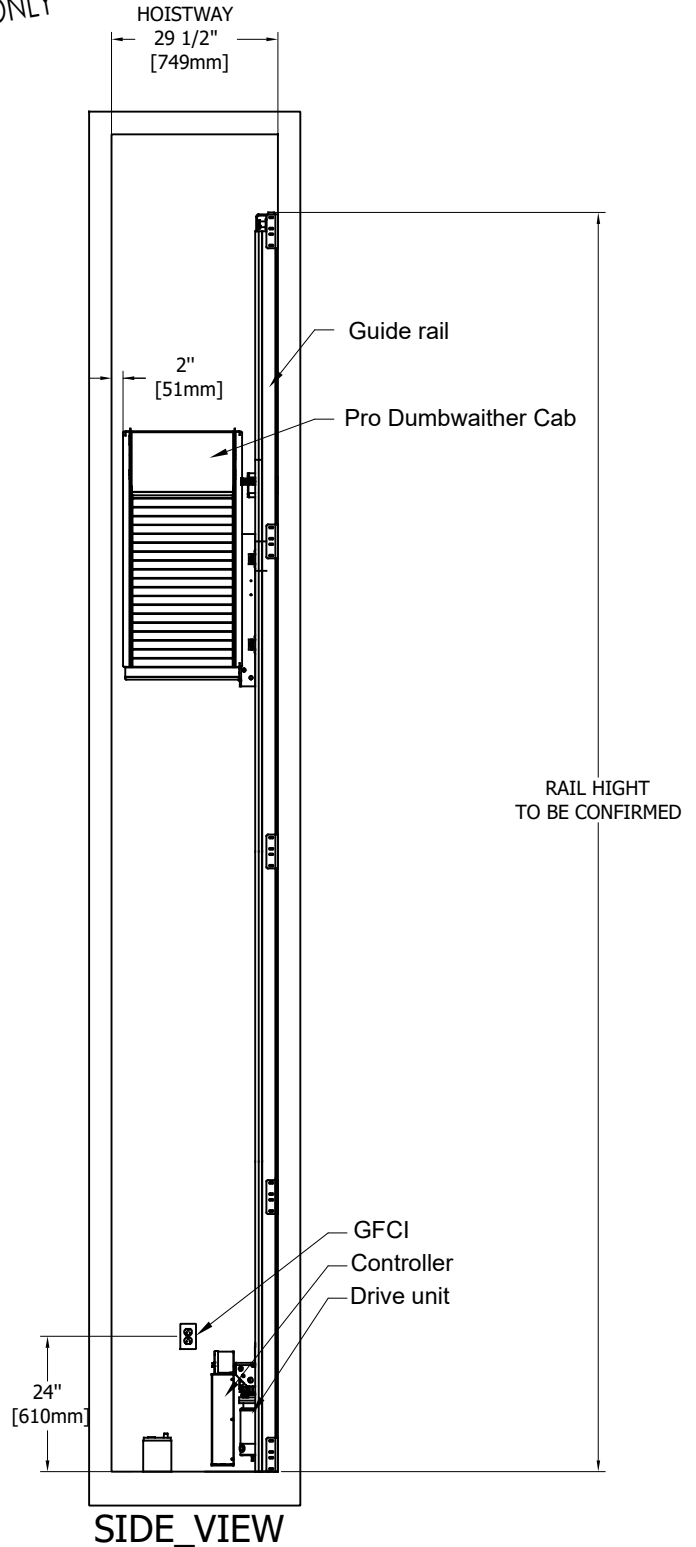
Statut: INFORMATION

Page: 2/4

GENERAL DOCUMENTATION, FOR  
INFORMATION ONLY



ELEVATION



SIDE\_VIEW

**PRO DUMBWAITER**  
**20x20x30**



3175 Boul. Choquette  
St-Hyacinthe (Québec)  
J2S 7Z8, Canada  
Tél: (450) 796-5708  
Fax: (450) 250-5110

[www.atlasaces.com](http://www.atlasaces.com)

No Drawing: DW-20

**TYPICAL DRAWING**  
**DW 20X20X30**

AMERIGLIDE IS NOT RESPONSIBLE  
FOR THE STRUCTURAL DESIGN OF  
THE BUILDING AND ITS ABILITY TO  
SUPPORT THE ELEVATOR LOADS  
AND OR REACTIONS

ALL DRAWINGS ARE THE  
INTELLECTUAL PROPERTY OF  
AMERIGLIDE AND CANNOT BE  
COPIED OR MODIFIED  
WITHOUT PERMISSION

Drafter:  
M. Debusschere

Scale:  
± 1/16"

Date:  
12-07-2020

Statut:  
INFORMATION

Rev: **0**  
Page: 3/4